

PM16 Series Sealed Metal Pushbutton for Harsh Environment

Features

- Robust design for marine or medical applications
- Double break action contact
- High shock and vibration resistant
- Positive tactile feedback
- Solder and screw terminals
- Meet Mil-PRF-8805 and IP68 rated

Specifications

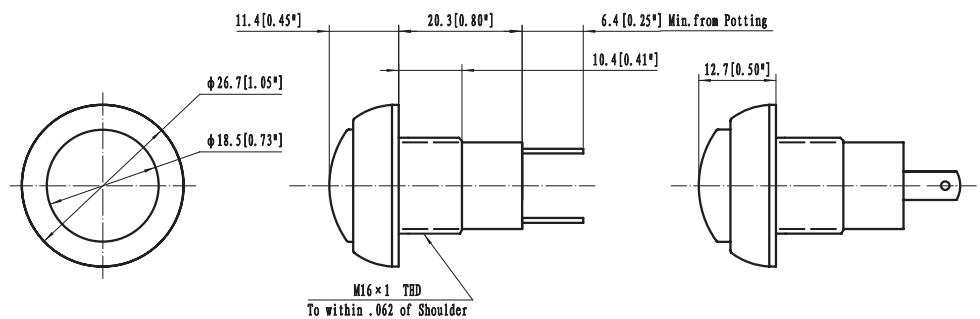
Housing Material	Anodized aluminum
Button Material	Thermoplastic
Contact Resistance	<50mΩ (Initial)
Dielectric Strength	1000V for 1 minute
Operating Force	~4 lbs (18N) or 2.5 lbs (11N)
Operating Temperature	-55~+85°C (-67 ~185°F)
Mechanical Life	1 million (operations)
Electrical Life (@28VDC or 115VAC)	Resistive load 10A 100,000 (operations) Resistive load 15A 25,000 (operations) Inductive load 5A 100,000 (operations) Lamp load 3A 100,000 (operations)
Degree of Protection	IP68

Selection Guide:

PM16	-	1	-	M		1		1		1	-	G		
		Body Style		Option		Terminal Style		Contact		Bezel Color		Button Color		Rubber Cap (Optional)
		P1: Press-fit Style 1 P2: Press-fit Style 2 B1: Threading Style 1 B2: Threading Style 2 B3: Threading Style 3 F1: Front Style 1 F2: Front Style 2 D1: Flush Dome D2: Raised Dome		Blank: Regular M: Maintained P: Push-Pull S: Shortened Back Panel		1: Solder/Std. 2: Screw/Std. 3: Solder/Low Level 4: Screw/Low Level 5: .250" Quick Connect		1: 1NO 2: 1NC 3: 1NO/1NC		1: Silver 2: Black		B: Black G: Green R: Red Y: Yellow O: Orange U: Blue W: White P: Purple A: Gray		B: Black G: Green R: Red Y: Yellow O: Orange U: Blue W: White P: Purple A: Gray

Picture and Dimensions:

PM16-D2-511G



PM16-D2-511G-B



PM16-D2-511G-U



PM16-D2-511G-Y

